

# L-TRACK

CONVEYORS



L<sup>ES</sup> SYSTEM

## INDEX

A short introduction	<b>3</b>
L-TRACK 40	<b>4</b>
L40 End Driven	<b>4</b>
L40 Center Driven	<b>5</b>
L-TRACK 80	<b>6</b>
L80 End Driven	<b>6</b>
L80 Center Driven	<b>7</b>
Gears/Motors	<b>8</b>
Motorplacement	<b>9</b>
Belts	<b>10</b>
Stand/Leg support	<b>11</b>
Additional options	<b>12</b>
Custom L-TRACKS	<b>13</b>
Order	<b>16</b>
Ordering standard L-TRACK	<b>16</b>
Ordering custom L-TRACK	<b>17</b>
Delivered solutions	<b>18</b>

---

### **L-SYSTEM AB**

Mörsaregatan 20  
254 66 Helsingborg  
SWEDEN

+46 (0)42 38 61 50

### **L-SYSTEM ApS**

Roms Hule 8 (Østtårnet)  
7100 Vejle  
DENMARK

+45 53 69 71 20

Hi!

## L-TRACK CONVEYORS

A short introduction

---

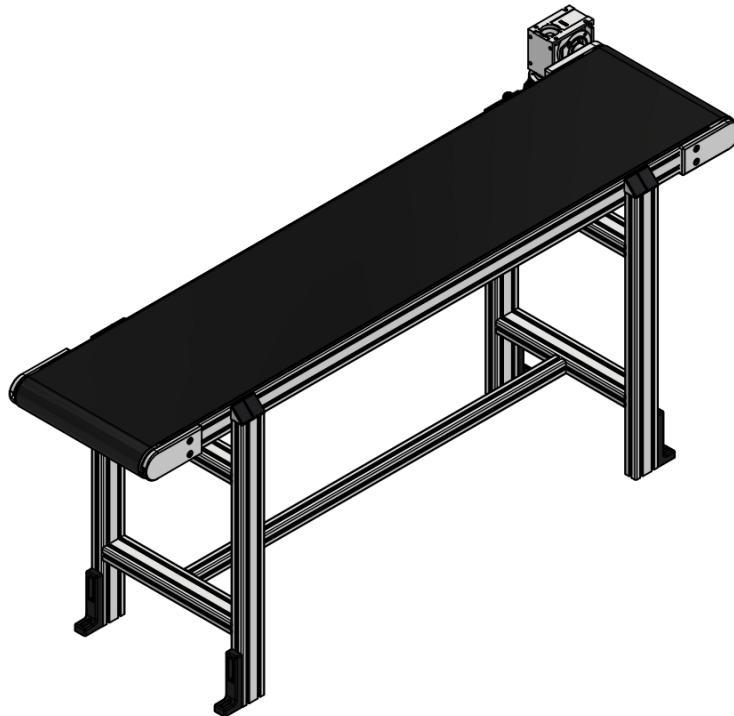
Products in our L-series are in-house manufactured products, which include L-Track. This allows us to offer our customers high-quality conveyors at an affordable price.

The two main sizes are the belt-driven L-Track 40 and L-Track 80. The series is based on our aluminum profile system S2 (as standard 40x40 or 40x80 with t-slot 8 mm). Alternatively, it is also possible to use profiles from Bosch (with t-slot 10mm). A galvanized metal sheet covers the base and acts as a sliding surface for the conveyor belt.

Tensioning and adjusting the belt is easily made with open screws at the drive and end rollers. The rollers are generally trapezoidal crowned for the belt tracking and are made from either steel or aluminium.

As a standard we offer a PVC-belt (in either black or green). It is also possible to get a more customized or specially adapted belt.

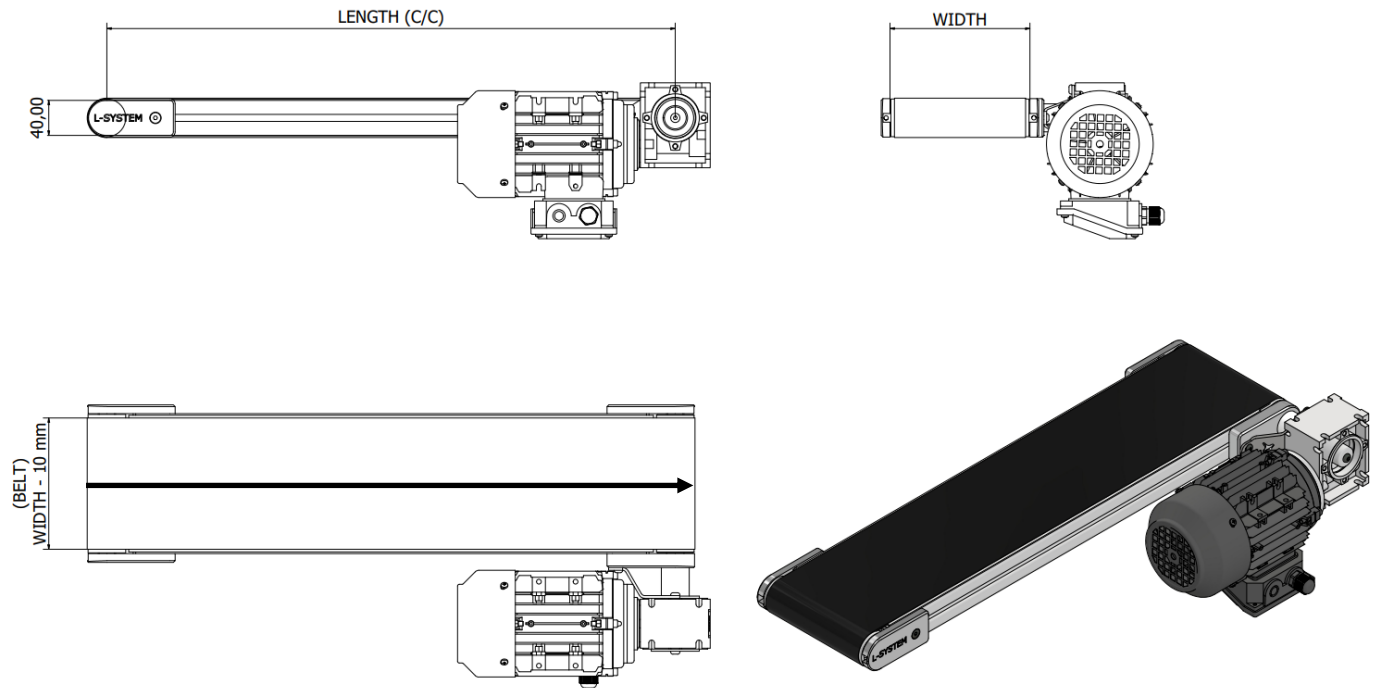
**Don't hesitate to contact us for further information or inquiries.**





## L-TRACK 40 END DRIVE

Suitable for moving light to medium loads (up to 50kg)



Width (mm)	Length (mm)	Gear ratio (I)	Speed (m/min)	Drive side	Motor pos.
40	Up to 4000	5	37,3	Right/Left	Horizontal/ Vertical (1-4)
80		7,5	24,9		
120		10	18,7		
160		15	12,4		
200		20	9,4		
250		25	7,5		
300		30	6,2		
350		40	4,7		
400		50	3,7		
500					

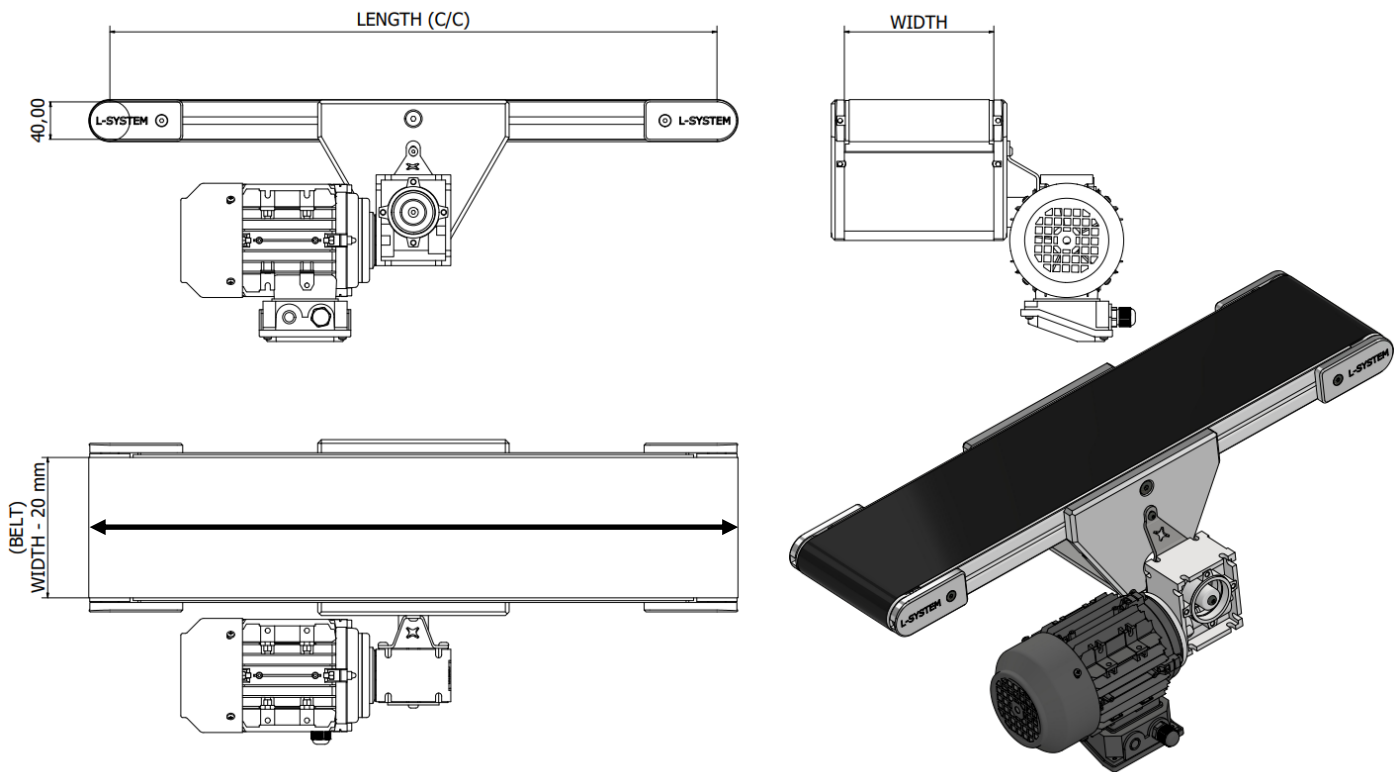
**Note!** The table above shows what is considered standard. However, it is possible to adjust the length, width and speed to better suit your area of use/application. Even adjustments for increased loads.

Common requests		
Stand/Leg support* 	Side guard (bent sheet metal)* 	Slatted belt* 



# L-TRACK 40 CENTER DRIVE

Suitable for reversible movement of light to medium loads (up to 70kg)



Width (mm)	Length (mm)	Gear ratio (I)	Speed (m/min)	Drive side	Motor pos.
40	Up to 6000	5	37,3	Right/Left	Horizontal/ Vertical (1-4)
80		7,5	24,9		
120		10	18,7		
160		15	12,4		
200		20	9,4		
250		25	7,5		
300		30	6,2		
350		40	4,7		
400		50	3,7		
500					

**Note!** The table above shows what is considered standard. However, it is possible to adjust the length, width and speed to better suit your area of use/application. Even adjustments for increased loads.

**Common requests**

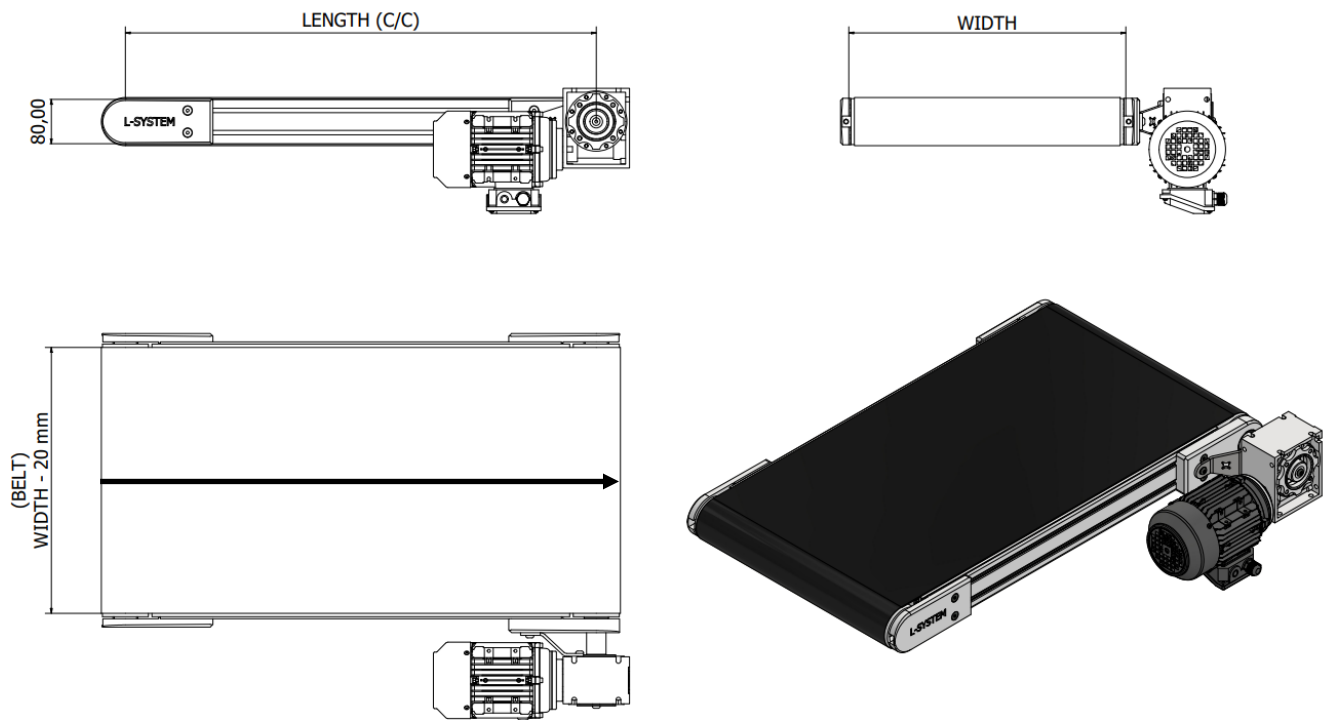
<p>Side guard (bent sheet metal)*</p>	<p>Stand/Leg support*</p>
---------------------------------------	---------------------------

\*Deviations may occur.

**L80E**

**L-TRACK 80 END DRIVE**

Suitable for moving medium to heavy loads (up to 200 kg)



Width (mm)	Length (mm)	Gear ratio (I)	Speed (m/min)	Drive side	Motor pos.
500	Up to 6000	10	36,2	Right/Left	Horizontal/ Vertical (1-4)
600		15	24,3		
700		20	18,2		
800		25	14,5		
900		30	12,2		
1000		40	9,3		
		50	7,4		
		60	6,1		
		80	4,5		
		100	3,7		

**Note!** The table above shows what is considered standard. However, it is possible to adjust the length, width and speed to better suit your area of use/application. Even adjustments for increased loads.

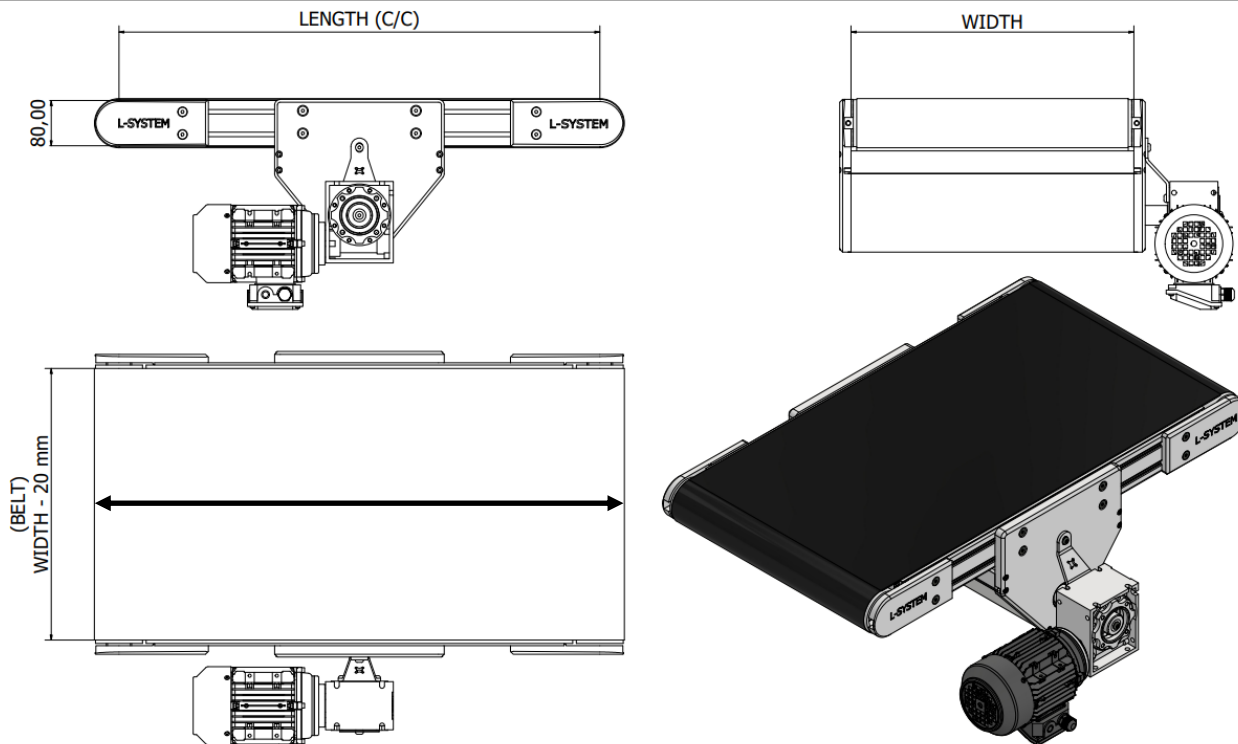
**Common requests**

<p>Stand/Leg support*</p>	<p>Side guard (bent sheet metal)*</p>	<p>Slatted belt*</p>
---------------------------	---------------------------------------	----------------------

**L80C**

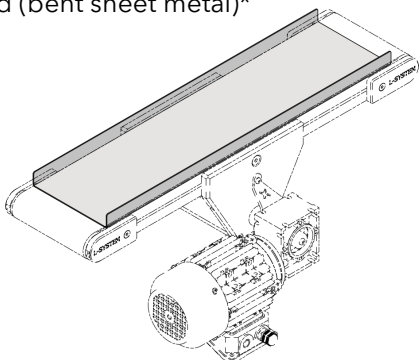
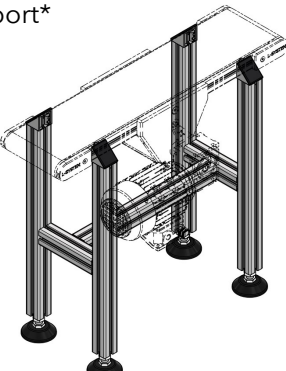
**L-TRACK 80 CENTER DRIVE**

Suitable for reversible movement of medium to heavy loads (up to 300kg)



Width (mm)	Length (mm)	Gear ratio (I)	Speed (m/min)	Drive side	Motor pos.
500	Up to 6000	10	36,2	Right/Left	Horizontal/ Vertical (1-4)
600		15	24,3		
700		20	18,2		
800		25	14,5		
900		30	12,2		
1000		40	9,3		
		50	7,4		
		60	6,1		
		80	4,5		
		100	3,7		

**Note!** The table above shows what is considered standard. However, it is possible to adjust the length, width and speed to better suit your area of use/application. Even adjustments for increased loads.

Common requests	
Side guard (bent sheet metal)* 	Stand/Leg support* 

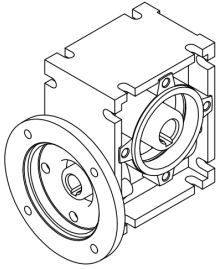
\*Deviations may occur.

**L-TRACK GEARS AND MOTORS**

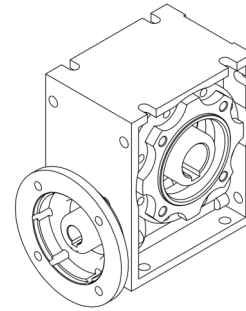
Gear ratios and speeds

**GEARS****L40-series**

LS030 X 63B14 H14

**L80-series**

LS050 X 71B14 H25



Gear ratio (I)	Speed (m/min) <sup>1</sup>
5	37,3
7,5	24,9
10	18,7
15	12,4
20	9,4
25	7,5
30	6,2
40	4,7
50	3,7

Gear ratio (I)	Speed (m/min) <sup>2</sup>
10	36,2
15	24,3
20	18,2
25	14,5
30	12,2
40	9,3
50	7,4
60	6,1
80	4,5
100	3,7

1.) at 1350 rpm.

2.) at 1400 rpm.

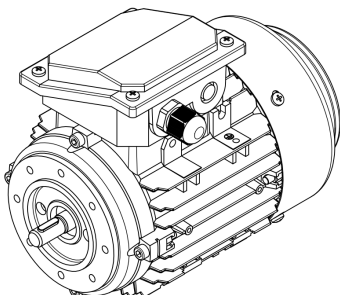
**MOTORS****L40-series**

LSA63B-4 0,18KW 230/400V B14 IE2

Frequency Hz: 50

Speed (rpm): 1350

Enclosure: IP55

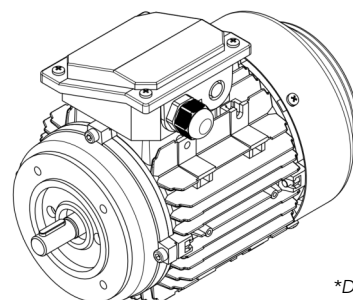
**L80-series**

LSA71B-4 0,37KW 230/400V B14 IE2

Frequency Hz: 50

Speed (rpm): 1400

Enclosure: IP55



\*Deviations may occur.

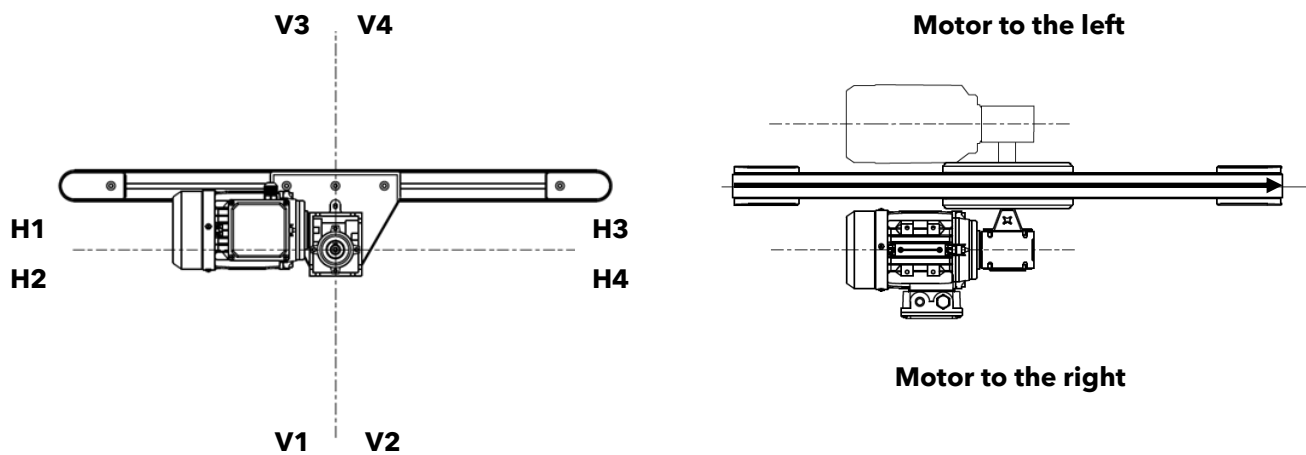




## L-TRACK GEARS AND MOTORS

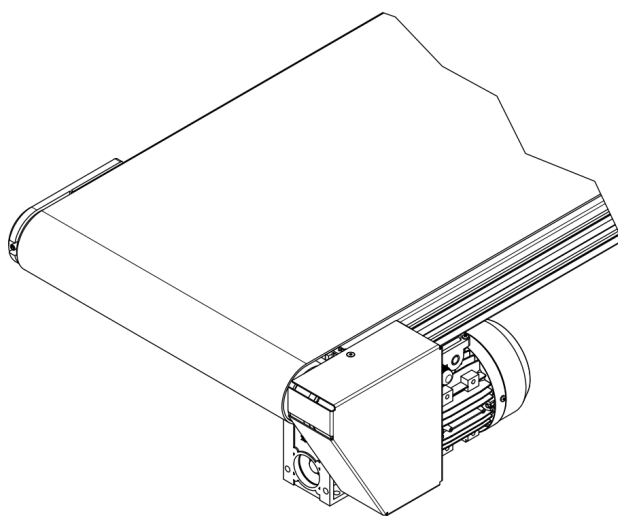
Gear ratios and speeds

### POSITIONING GEAR/MOTOR

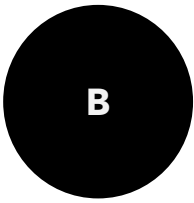


(Example above: RH1, Right side, position H1)

In tight spaces, it is possible to place the gearbox/motor underneath with the help of a belt drive.



**Note!** Gears and motors are **NOT** mounted upon delivery.



## BELTS

The right belt for the area of use

### BELTS

#### Standard

PVC Black/Green  
General applications

#### Miscellaneous

PVC Blue  
Approved for food handling

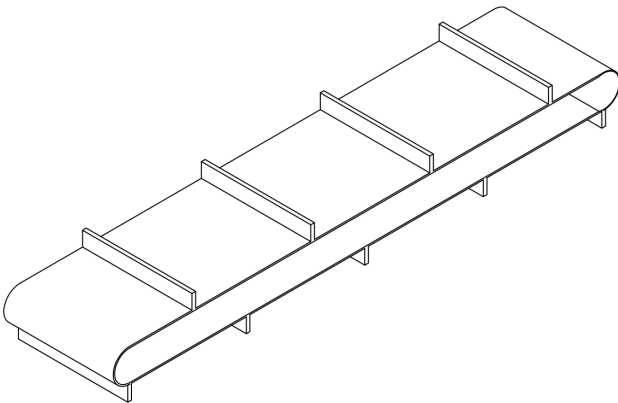
PVC Green  
General applications/recycling

Felt Gray  
Suitable for the automotive, wood, paper and glass industry

#### Customized

Slatted  
Separation of products

Guided  
Counteracts lateral forces. Also suitable for long belt conveyors



**Note!** Other specialized belts can be provided.

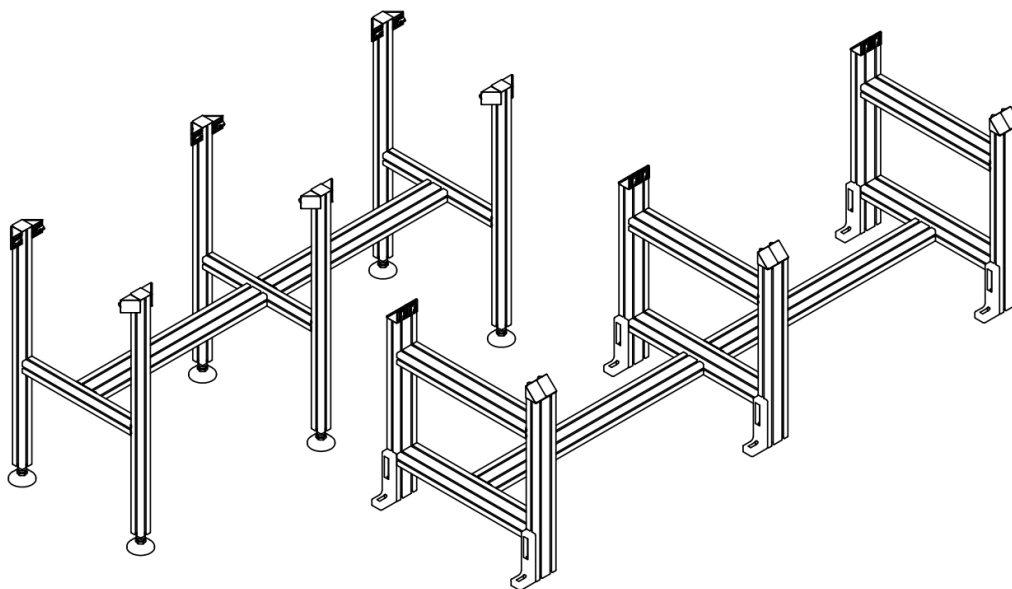
S/L

**STAND AND LEG SUPPORT**

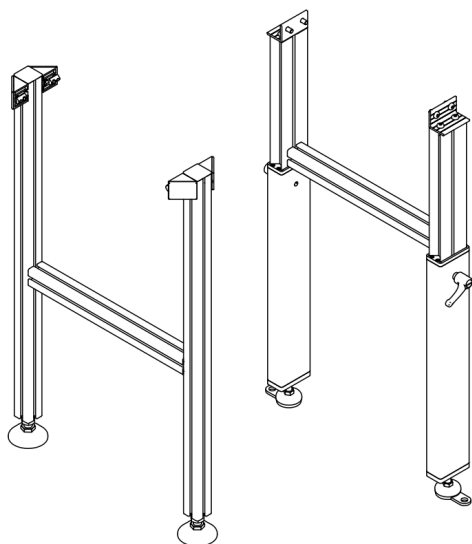
Stability and anchoring

**STAND**

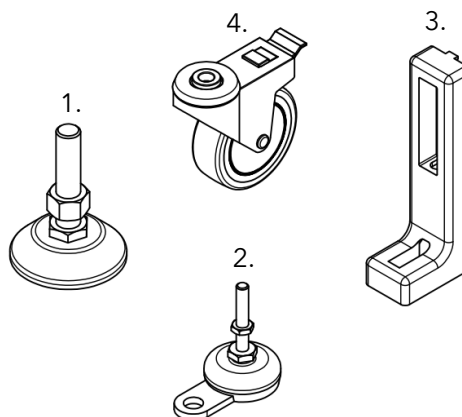
These are constructed using 40-, 80-profiles or a combination of both. They cover most of the transport distance. Suitable for slightly longer conveyors or conveyors moving medium to heavy loads. Adds maximum stability.

**LEG SUPPORT**

These are constructed using 40-, 80-profiles or a combination of both. If necessary, they can be easily adjusted along the transport distance. Suitable for slightly shorter conveyors or conveyors moving light to medium loads. (Also available with height adjustment.)

**FEET AND WHEELS**

- 1.) Adjustable foot
- 2.) Adjustable foot with floor anchoring
- 3.) Standard foot, semi adjustable with floor anchoring
- 4.) Wheel (with or without locking)

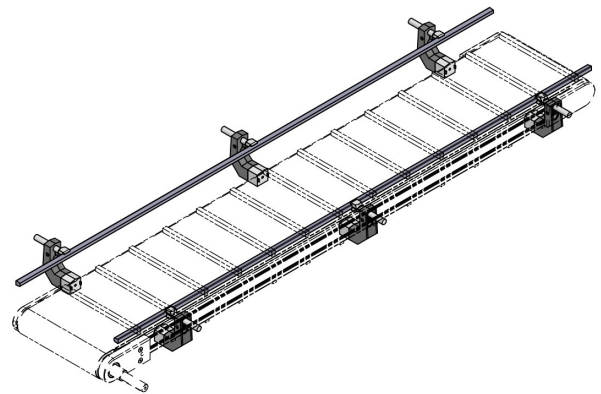
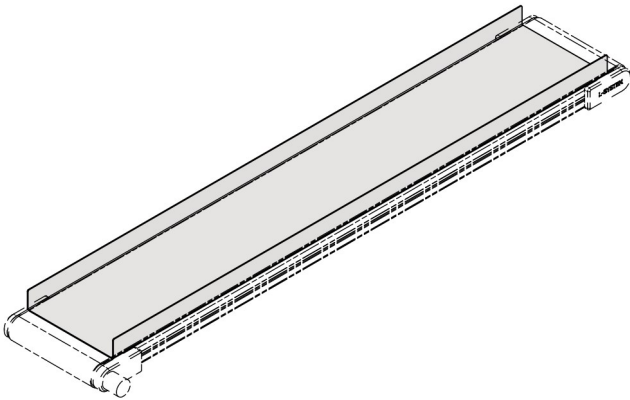


## ADDITIONAL OPTIONS

Further customize the conveyor

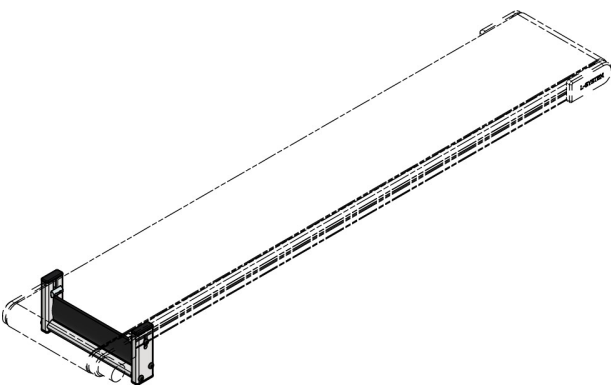
### LATERAL GUIDES/SIDE GUARD

Lateral guides can be added to steer or prevent products from rolling off. Either by making the belt plate with folded edges or with guide profiles.



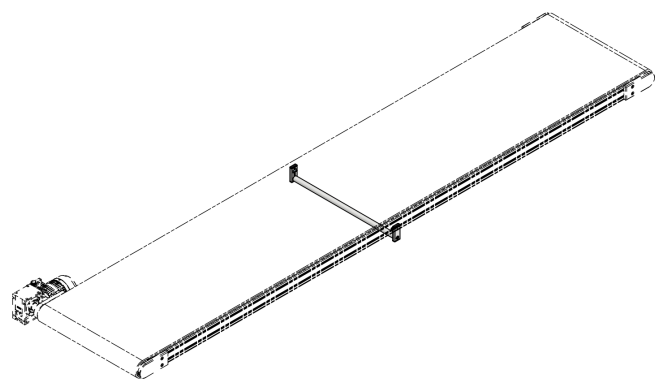
### BELT SCRAPER

Scrapers can help keep the belt clean, e.g. from saw or metal shavings.



### BELT SUPPORT

Prevents belt sagging. Under certain circumstances standard on conveyors over 3 m.



*\*Deviations may occur.*

C

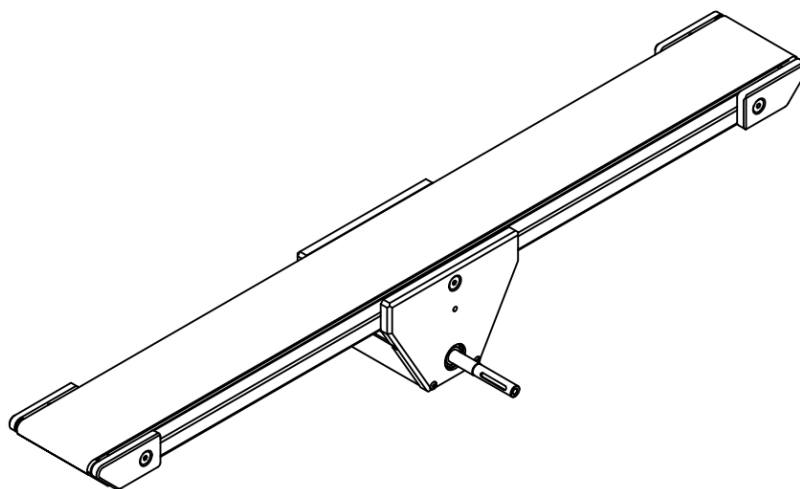
## CUSTOM L-TRACKS

Customized conveyors for specific needs

**Note!** Customized conveyors are ONLY available upon request.

### L40/80/CK L-TRACK 40/80 CENTER DRIVE KNIFE EDGE

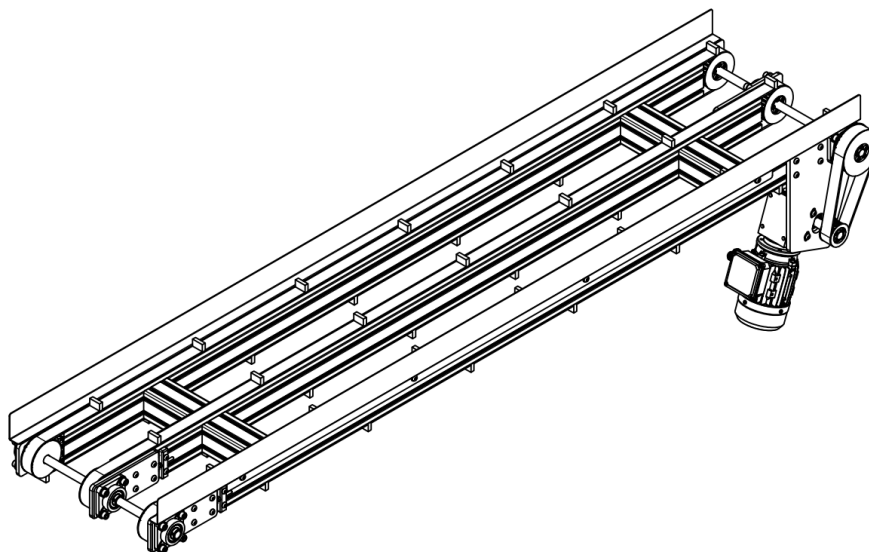
Suitable in applications where the transition between two points is important – reversible.



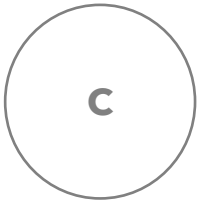
\*L40CK

### L40/80/120TM L-TRACK 40/80 TIMING BELT (AT-BELT)

Suitable in applications where positioning and accuracy is crucial – reversible.



\*3 x L80TM (with side guards, slatted belt and belt driven gear/motor)



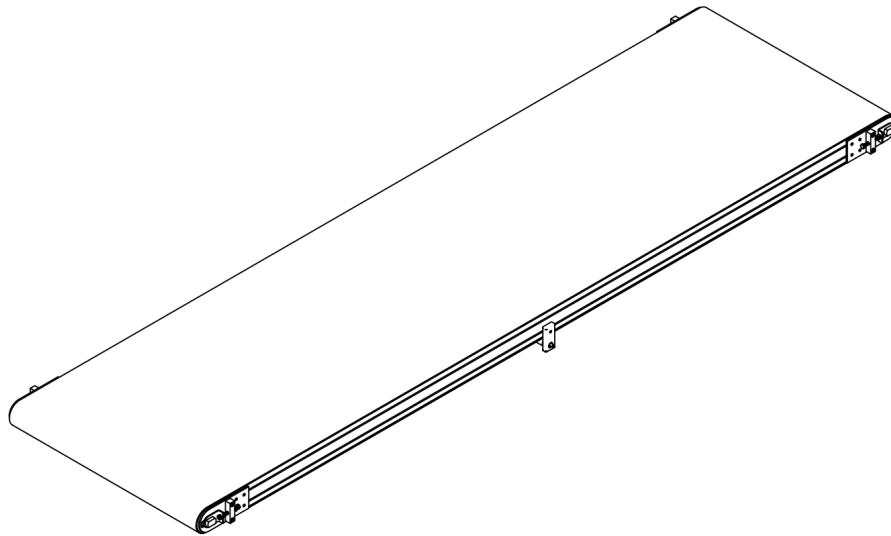
## CUSTOM L-TRACKS

Customized conveyors for specific needs

**Note!** Customized conveyors are ONLY available upon request.

### L80DM L-TRACK 80 DRUM MOTOR

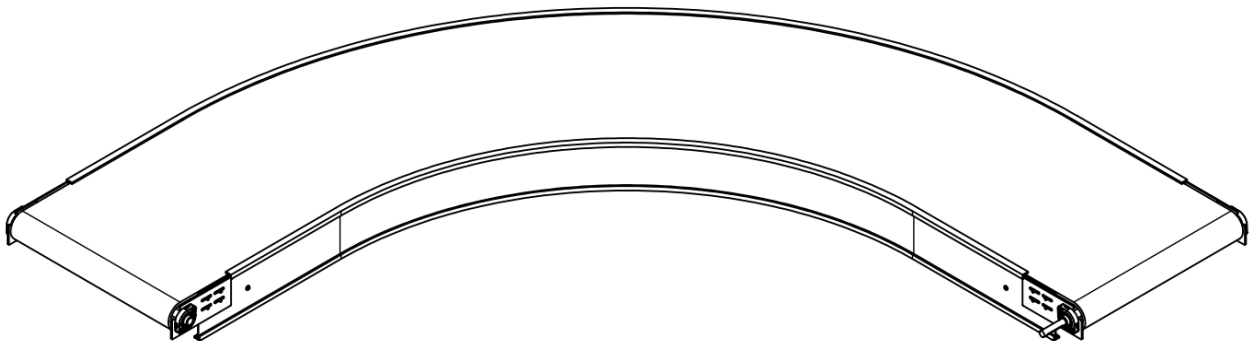
Suitable where there is a lack of space (for the gearbox/motor) – non-reversible. Not suitable for heavy loads.



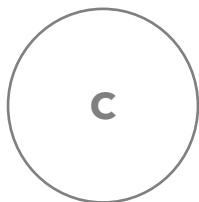
\*L80DM (with belt support)

### L80MB L-TRACK 80 MODULAR BELT

Suitable for food handling environments and applications where a curve is required – non-reversible.



\*L80MB (90°)



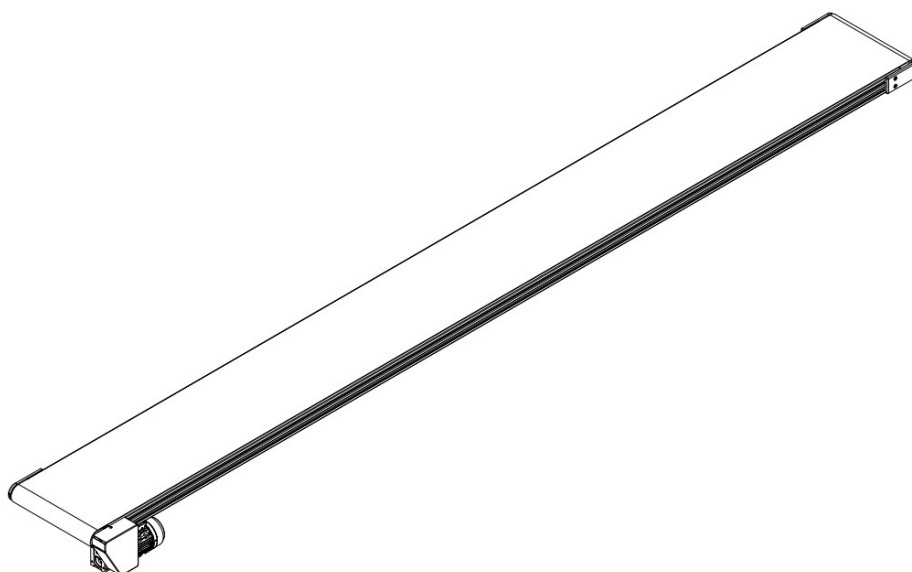
## CUSTOM L-TRACKS

Customized conveyors for specific needs

**Note!** Customized conveyors are ONLY available upon request.

### L80HL L-TRACK 80 HEAVY LOAD

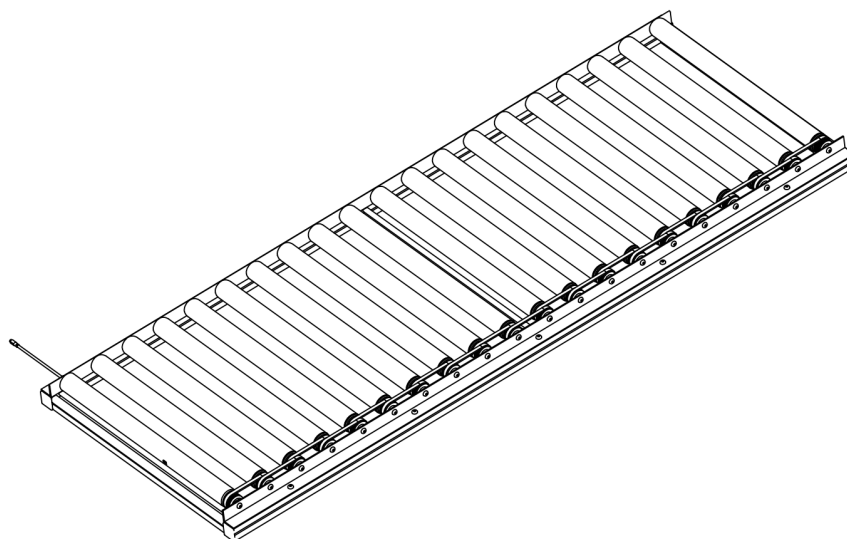
Suitable for moving especially heavy loads – non-reversible



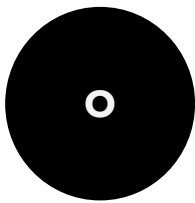
\*L80HL (with belt supports and belt driven gear/motor)

### L50RC L-TRACK 50 ROLLER CONVEYOR

Suitable for boxes and trays.



\*L50RC (Driven)



## ORDERING STANDARD CONVEYOR

Configuration and order key for L40/80/E/C

<b>SIZE</b> L40 L80	<b>L40</b>	-	<b>E</b>	-	<b>0160</b>	-	<b>1000</b>	-	<b>12,4</b>	-	<b>RH1</b>	-	<b>PVCB</b>
<b>TYPE</b> E = END C = CENTER													
<b>WIDTH</b>													
<b>LENGTH</b> C/C ROLLERS													
<b>SPEED</b>													
<b>POS. GEAR/MOTOR</b>													
<b>BELT COLOR (STD. PVC)</b> B = BLACK G = GREEN													

Ex. above:

### L40E-0160-1000-12,4-RH1-PVCB

L-TRACK size 40, end driven, width 160 mm, length 1000 mm, speed 12,4 m/min, motor placed on the right side position H1, belt (PVC) color black.





?

## ORDERING CUSTOM CONVEYOR

Configuration and order requirements for non-standard

---

For a quotation/order the following information is required:

**L-TRACK Type** (e.g. L40CK)

**Width** (mm)

**Distance between roller** (C/C mm)

**Belt speed** (m/min)

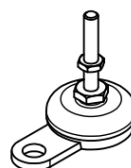
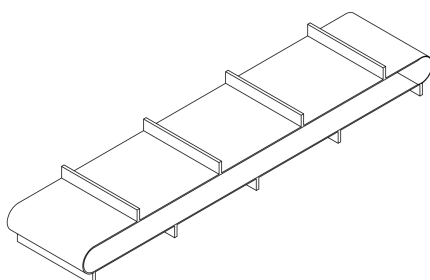
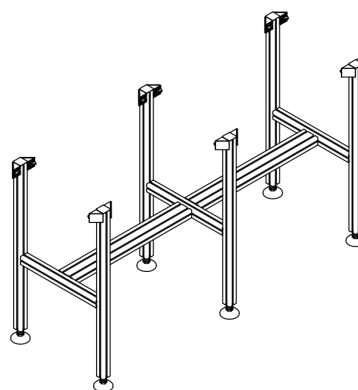
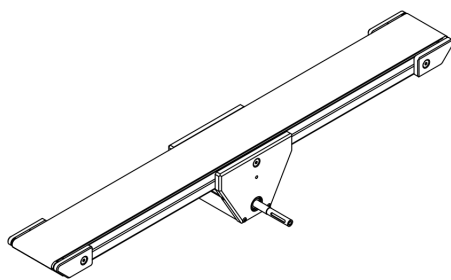
**Belt typ** (e.g. belt for food handling)

**Total load on the belt** (kg/at one time)

**Product** (to be moved)

**Support** (e.g. leg support)

**Support floor anchoring** (e.g adjustable foot with floor bolt)





## DELIVERED SOLUTIONS

Previously delivered projects/orders

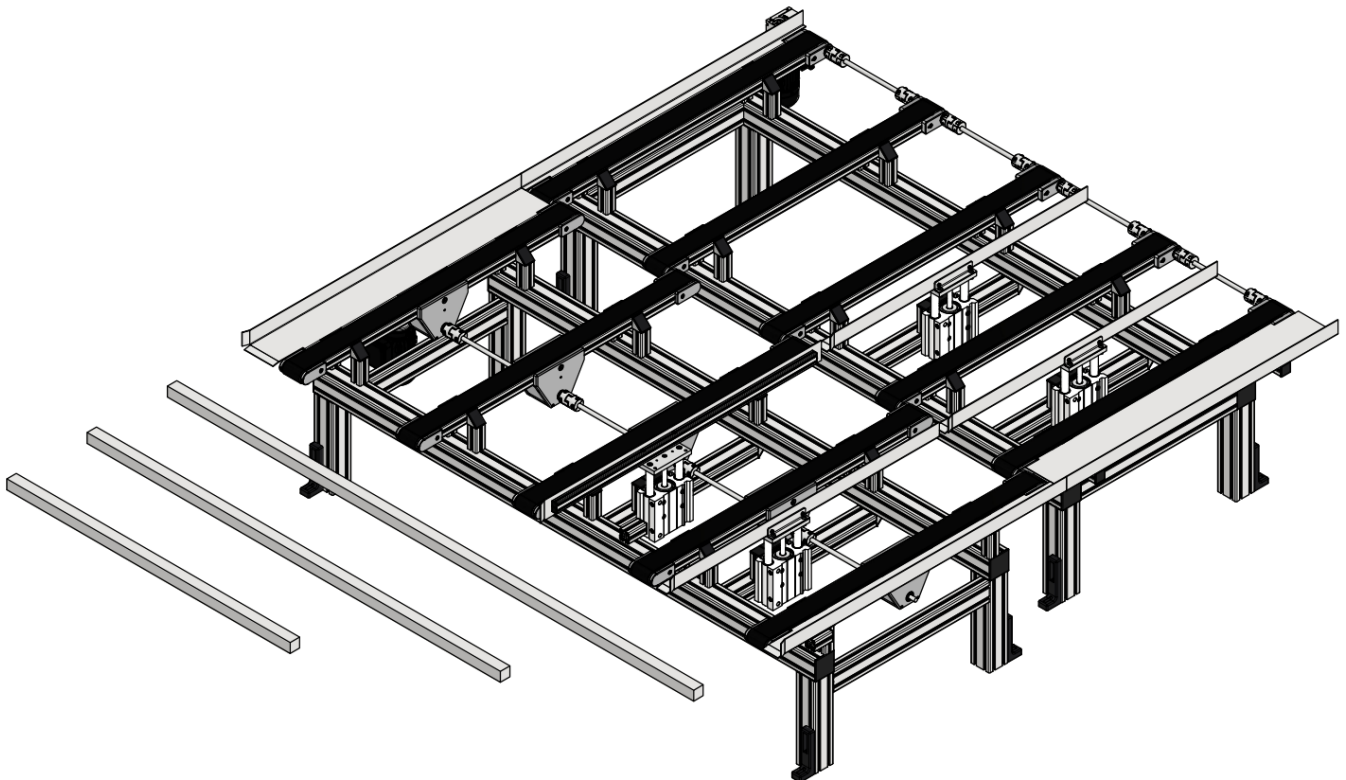
### PACKAGING/WOOD INDUSTRY

#### Case

Customer wanted a solution where they would be able to move and feed packaged wooden parts further down a production line. Being able to adjust for different sizes of the packaging (up to 2 meters in length) was also a requirement.

#### Solution

Five parallel L40C followed by an additional five parallel L40E, placed slightly offset to guarantee the transition of the product between the conveyors. The adjustment for the different packages was done using guide plates mounted on air cylinders. The entire installation had a dimension of approx. 2.5 x 2.5m.



## D

**DELIVERED SOLUTIONS**

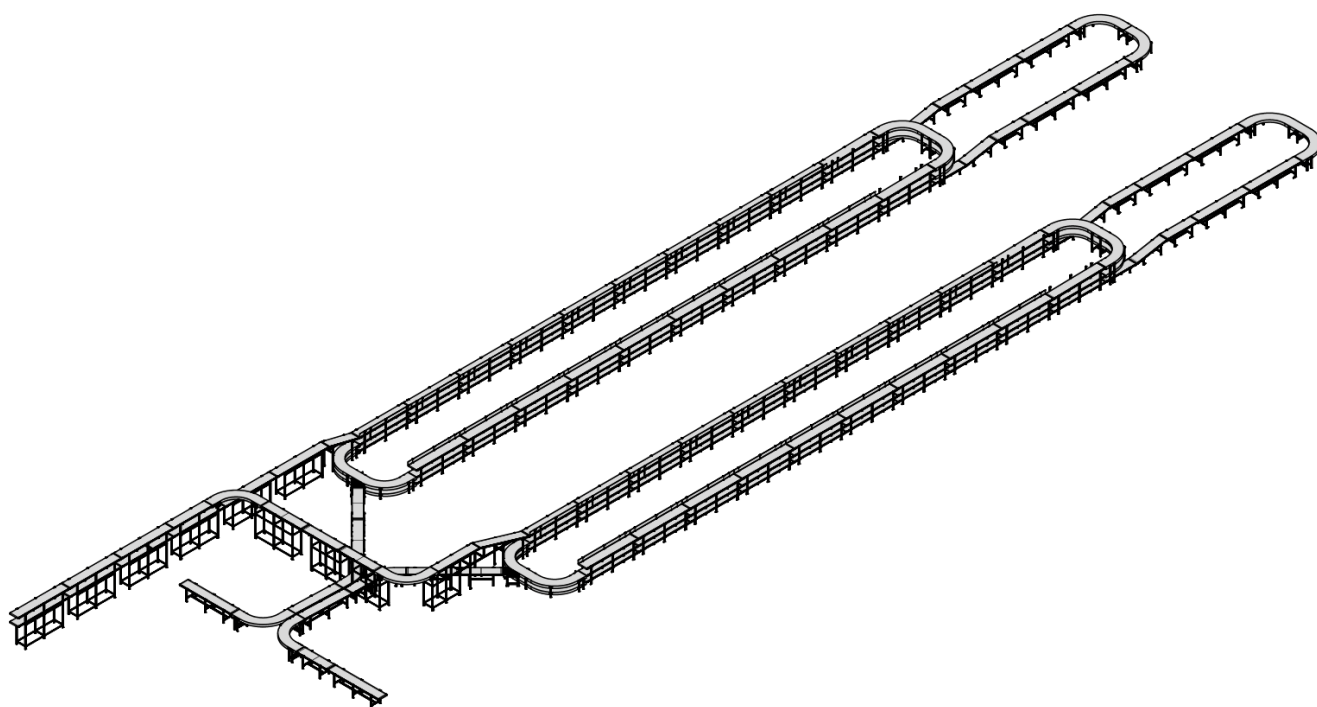
Previously delivered projects/orders

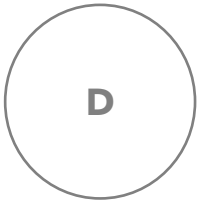
**PACKAGING INDUSTRY****Case**

One of Sweden's largest distributors of letters and parcels wanted a complete line for handling return goods. A location and building were already in place, so the dimensions of the solution were already somewhat determined. There were also requirements for suitable work space and the overall budget.

**Solution**

The solution was a total of 186 conveyors where the majority of these were drum-motor-driven (5m/unit). The choice to use this type of conveyor was mainly to create more work space but also to keep costs down. Each conveyor was calculated to handle approx. 60 kg.





## DELIVERED SOLUTIONS

Previously delivered projects/orders

---

### WOOD INDUSTRY

#### Case

Customer wanted a solution where they would be able to move wood waste and shavings. One of the requirements was also that the track should be ascending to approx. 1.8m.

#### Solution

The solution, an L80E with slatted conveyor belt. This was then mounted on a stand which enabled the desired ascent.

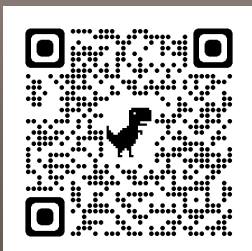






**L SYSTEM**  
COMPONENTS & SOLUTIONS

**- We deliver components and solutions.**



**L-SYSTEM AB**  
Mörsaregatan 20  
254 66 Helsingborg  
SWEDEN  
+46 (0)42 38 61 50

**L-SYSTEM ApS**  
Roms Hule 8 (Østtårnet)  
7100 Vejle  
DENMARK  
+45 53 69 71 20

[www.l-system.nu](http://www.l-system.nu)  
[www.l-system.se](http://www.l-system.se)  
[www.l-system.dk](http://www.l-system.dk)  
[www.l-system.no](http://www.l-system.no)  
[www.l-system.fi](http://www.l-system.fi)